

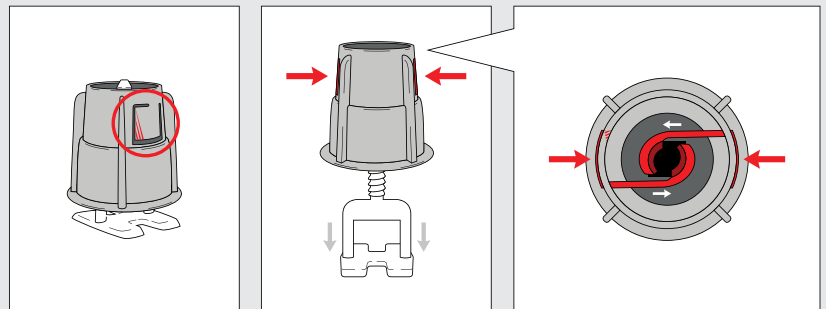
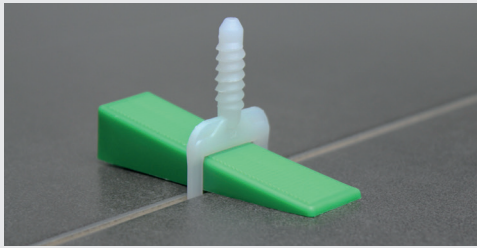


Leveling System

Perfectly even wall and floor tiles

One system, two solutions!


Our leveling system combines the advantages of both solutions: Leveling tiles using wedges or knobs:



Features

- Practical system for quick, safe and even laying of wall and floor tiles.
- Flexible handling: the system offers the advantages of both applications: The use of wedges or also the use of knobs.
- The knob has a special fastener that allows a quick fastening and unfastening of the level spacers
- The leveling spacers are available in widths of 1mm, 2mm & 3mm
- The leveling spacers are also available in T- and cross-versions
- For base plates from 13mm - 20mm, leveling spacers with 2mm width in the range
- Starter sets are offered as well as the various individual parts in bags for additional purchase.
- In particular for large-format tiles, an indispensable aid for quick and even installation
- Suitable for tiles from 3-15 mm, for wall and floor tiles

Our Youtube-Video:

 <https://youtu.be/mE9wmR-age8>